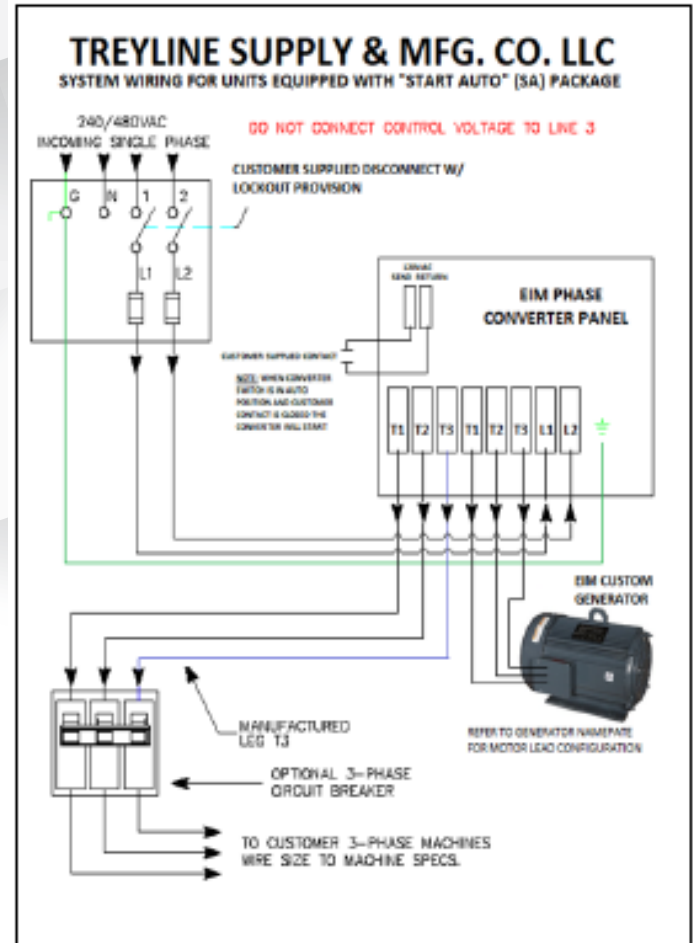
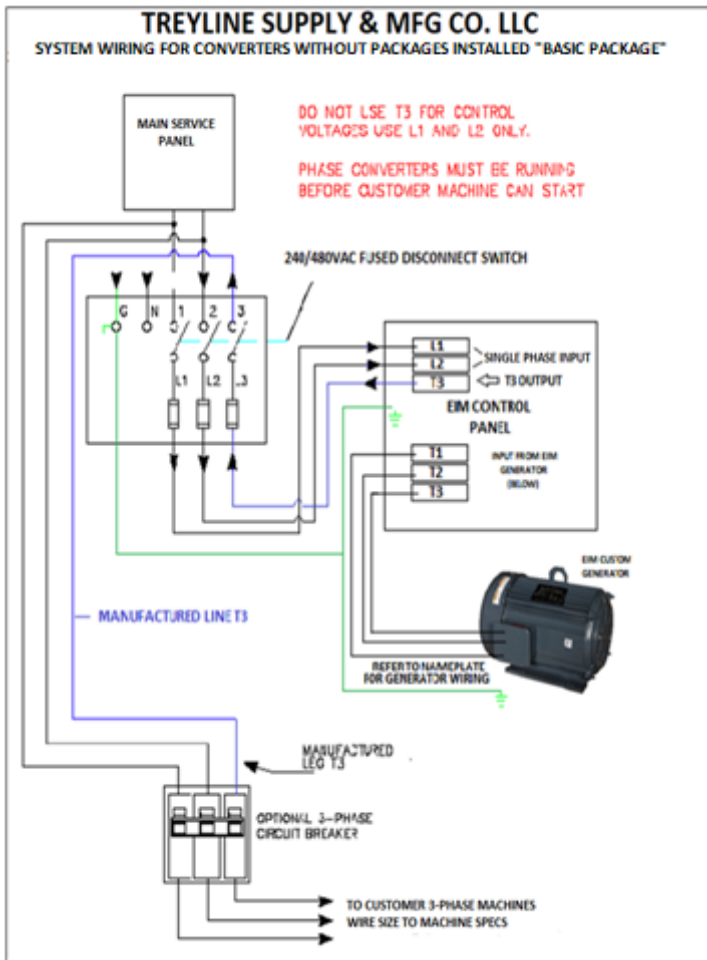


ROTARY PHASE CONVERTER SCHEMATICS



- CUSTOMER MUST BYPASS SINGLE PHASE TO LOAD
- SINGLE PHASE ALWAYS PRESENT AT LOAD, EVEN IF THE CONVERTER IS NOT RUNNING.
- FUSES ARE USED TO PROTECT THE PHASE CONVERTER.
- INCREASED INSTALLATION COSTS

- EASY INSTALLATION.
- 3 PHASE OUTPUT IS ISOLATED TO THE LOAD WHEN THE CONVERTER IS OFF.
- BUILT IN OVERLOAD RELAY, HOA SWITCH, AUTO STARTING CONTACT, AND BUILT IN OUTPUT CONTACTOR WHICH ALLOWS THE CONVERTER TO START BEFORE RELEASING POWER TO THE LOAD. PREVENTS SINGLE PHASING MOTORS IF YOU FORGET TO TURN THE PHASE CONVERTER ON!
- VERY EASY INSTALLATION. LOW INSTALLATION COST.